



Playfield Replacement

Innovative Concepts In Entertainment

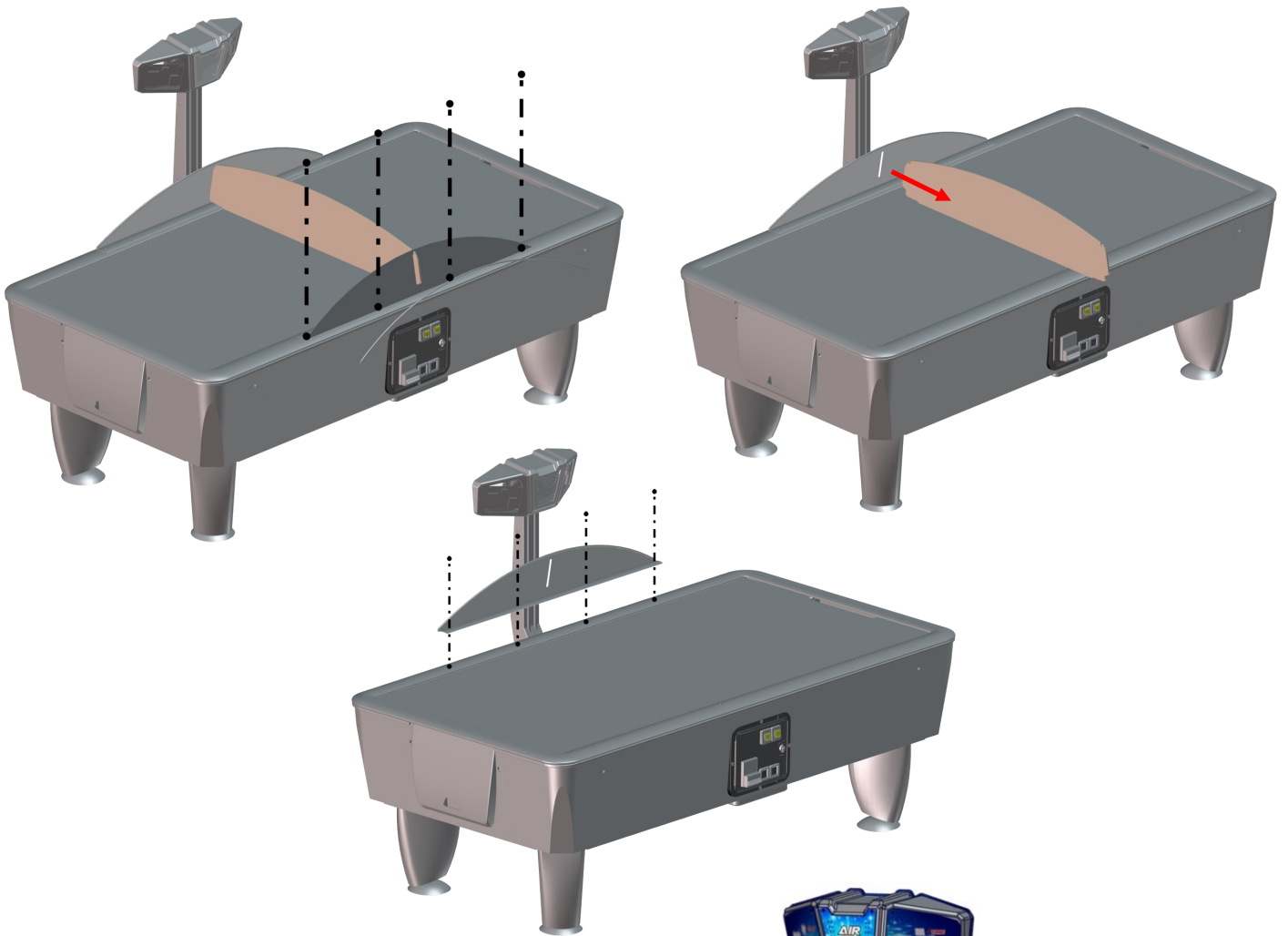
10123 Main street, Clarence, NY 14031

WWW.ICEGAME.COM

(716) 759-0360 Monday through Friday 8:30am to 6:00pm Eastern Standard

Remove the side guards:

Remove the four screws that attach the opposite side guard from the marquee. Slide the playfield divider out of the other side guard slot. Remove the other side guard.



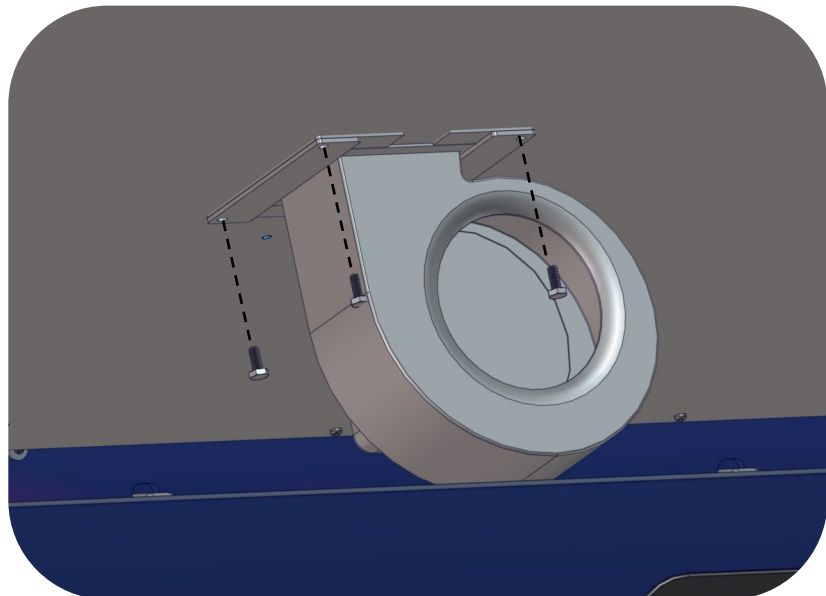
Unlock the cabinet using provided hex wrench.



Open the top and disconnect the motor harness from the motor.



Then remove the four bolts holding the blower motor to the playfield and put aside.



With two people on each corner, position the safety braces on each side of the cabinet.



With a third person, remove the pins on the gas shocks. To do this, flip the pin around and slide it down and out the hole. Then pull the gas shock off the anchor and lay on the ground. Now close the top.

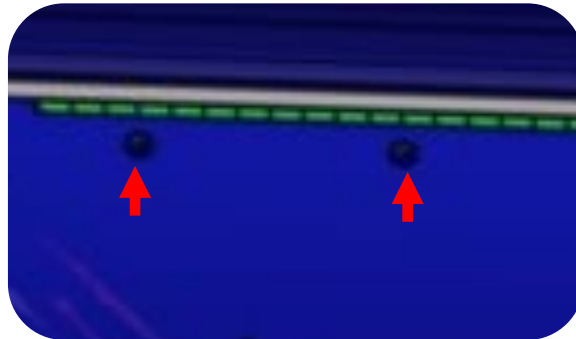
Make sure your two helpers stay securing the safety braces.



Remove the marquee and unplug its harness. Put the marquee aside.



The Allen bolts that hold the hinge to the cabinet are covered by the side decal. Using your finger locate each Allen bolt hole and use a sharp knife to remove the decal covering the hole. Do not cut the decal larger than the hole. Remove the Allen bolt. There are nine Allen Bolts.

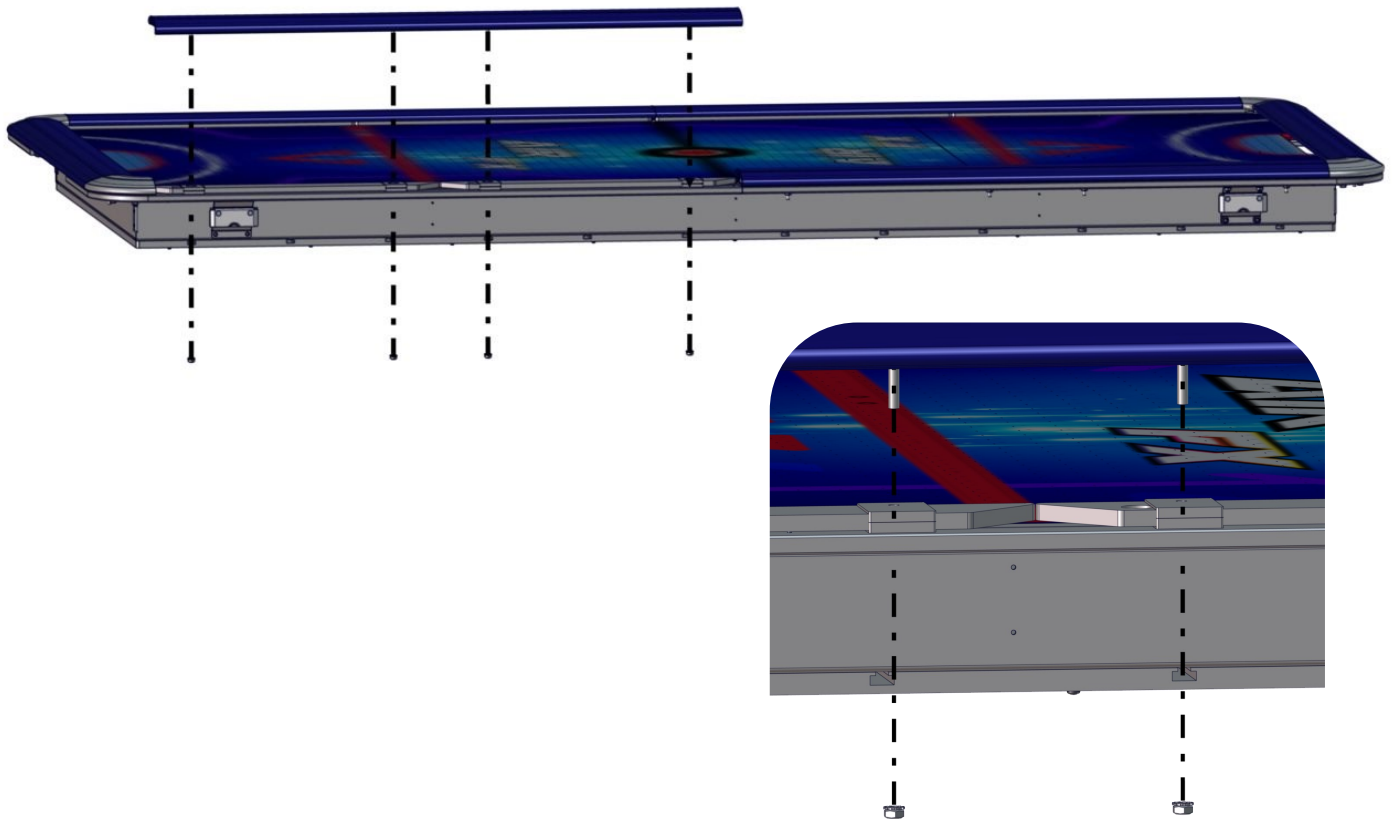


Lift the playfield Assembly off the cabinet and onto a pair of saw horses.

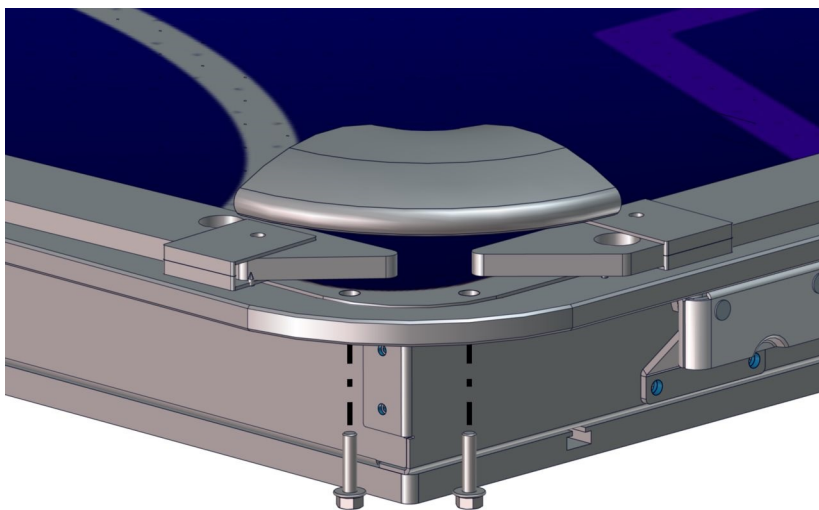
WARNING: PLAYFIELD TOP IS VERY HEAVY!



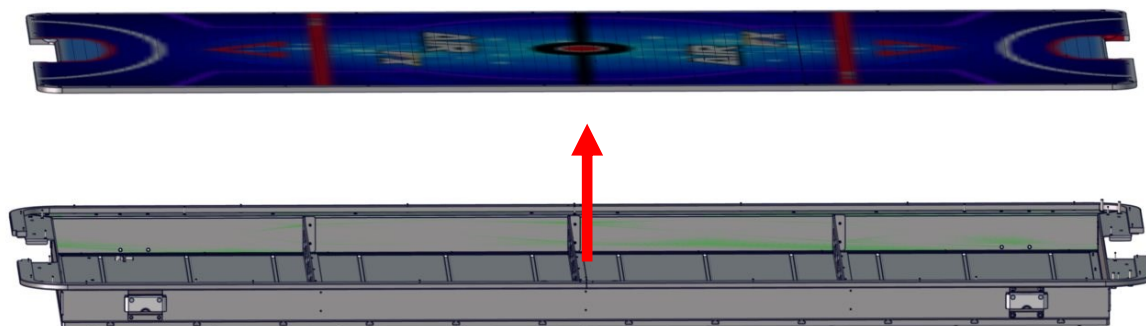
Remove all side rails. To do so, remove the nylon nuts at the bottom and lift the rails out. Repeat this all the way around the playfield.



Remove all corner rails. To do so, remove the two bolts holding the corner. Repeat this all the way around the playfield.



Lift the playfield out. Replace with new playfield. Assembly in reverse. Please note on last page the layout for the ball deflectors proper placement.



Ball Deflector Mounting Positions

** NOTE ** Color has been changed to red to accent.

