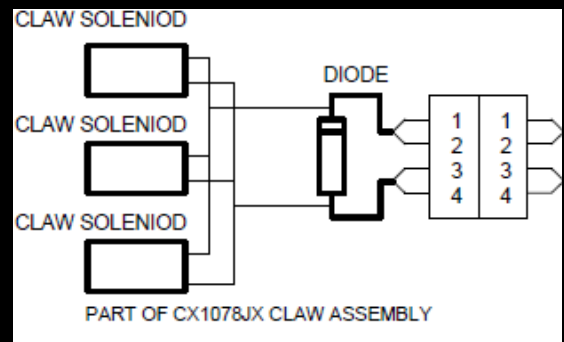


CX CLAW ASSEMBLY CX1078J



The claw coils measure 18 Ohms each. Wired together in parallel, the resistance across the circular plug is 6 Ohms. Be sure to measure across pins 1 & 4 and 3 & 2.

CX CLAW ASSEMBLY:

Check for mechanical binding by making sure the collar slides freely along the claw shaft.

The collar (black) should slide up and down very easily.