

# Quarterback Pro

## Ball Jam update

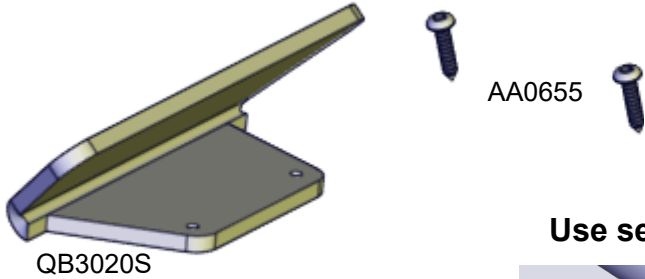
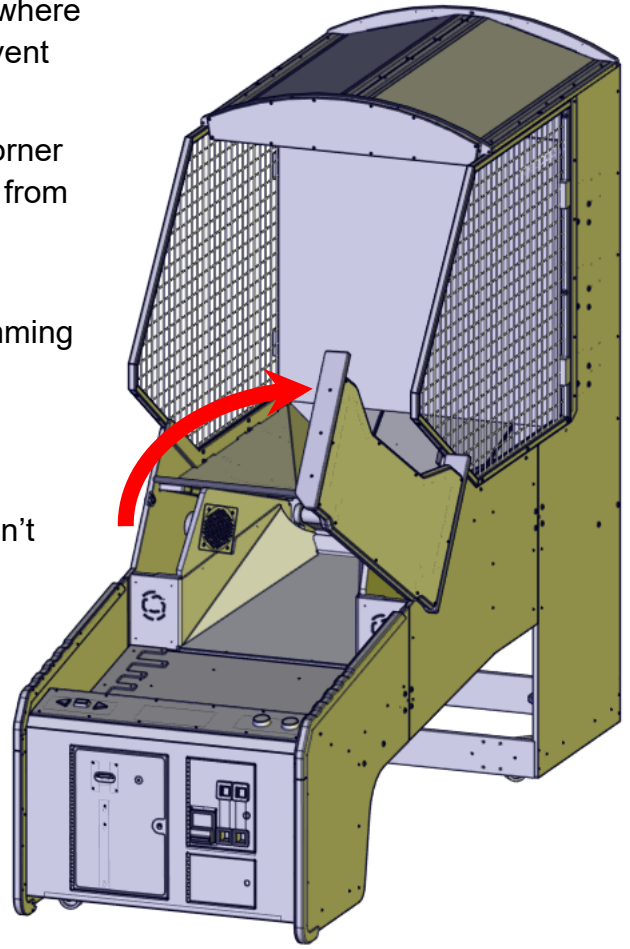
It has come to our attention of two possible jam points where a football can prevent a target arm from moving or prevent the conveyor from moving forward or backward.

It is recommended to install one QB3094 block at each corner at the back of the game. This will prevent the footballs from jamming the target arms.

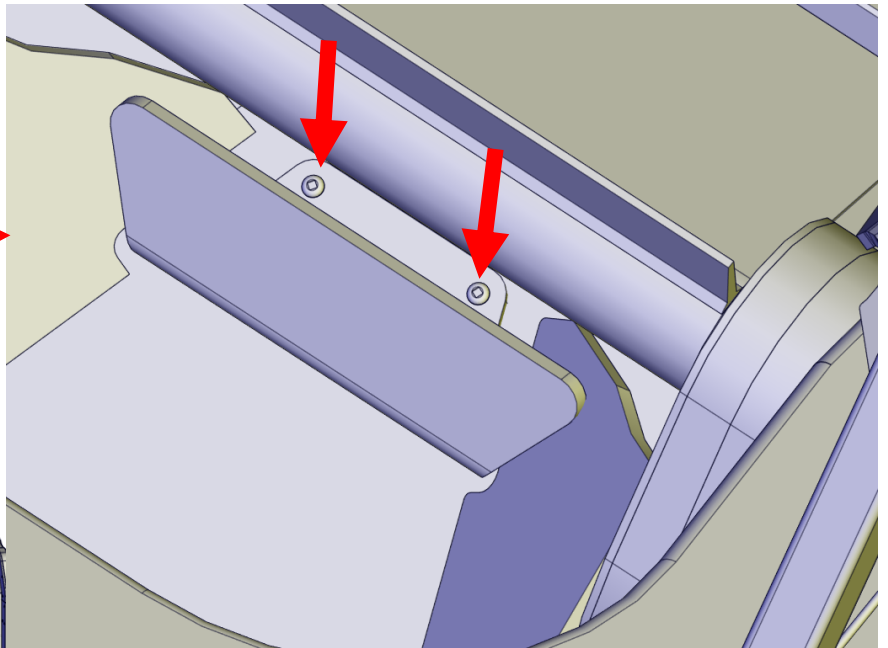
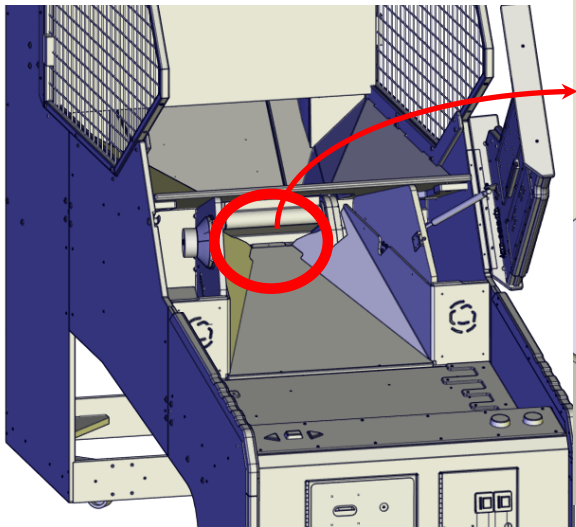
In addition to these blocks, at the front of the conveyor, install the QB3020S deflector to stop footballs from jamming the conveyor.

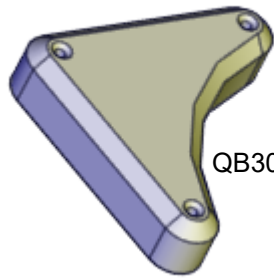
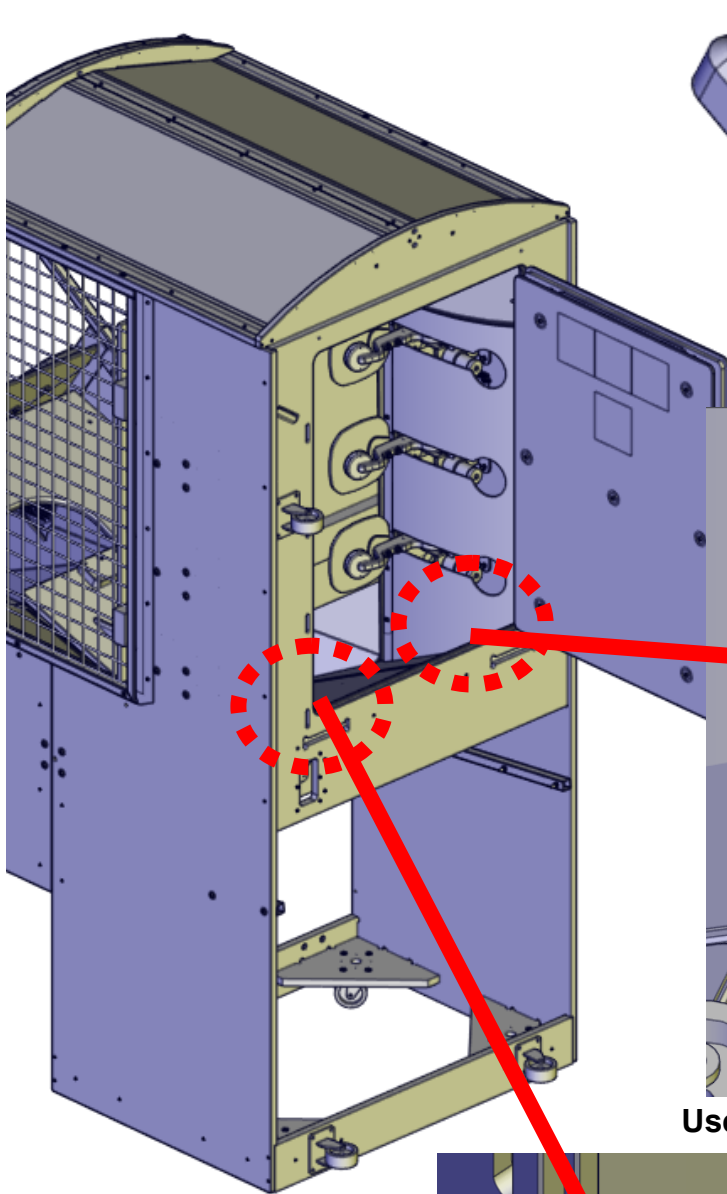
These new additions have been added to current production.

Please contact our Parts Department if your game doesn't have these important updates.



**Use self tapping screws to secure deflector.**



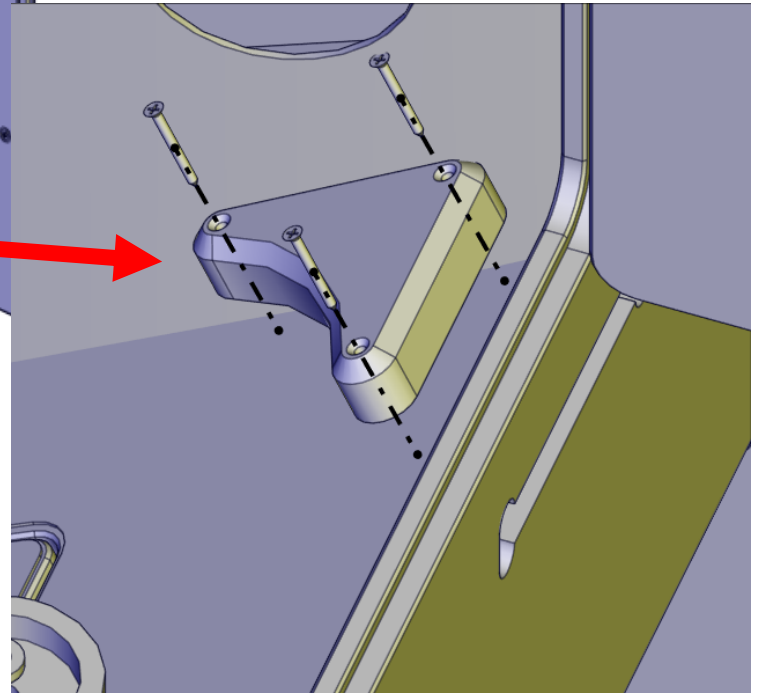


QB3094



AA6166

8 x 1-1/2 Wood Screw



Use wood screws to secure blocks.

