

Air FX Ticket Upgrade Kit

Install Instructions



Innovative Concepts in Entertainment

10123 Main Street

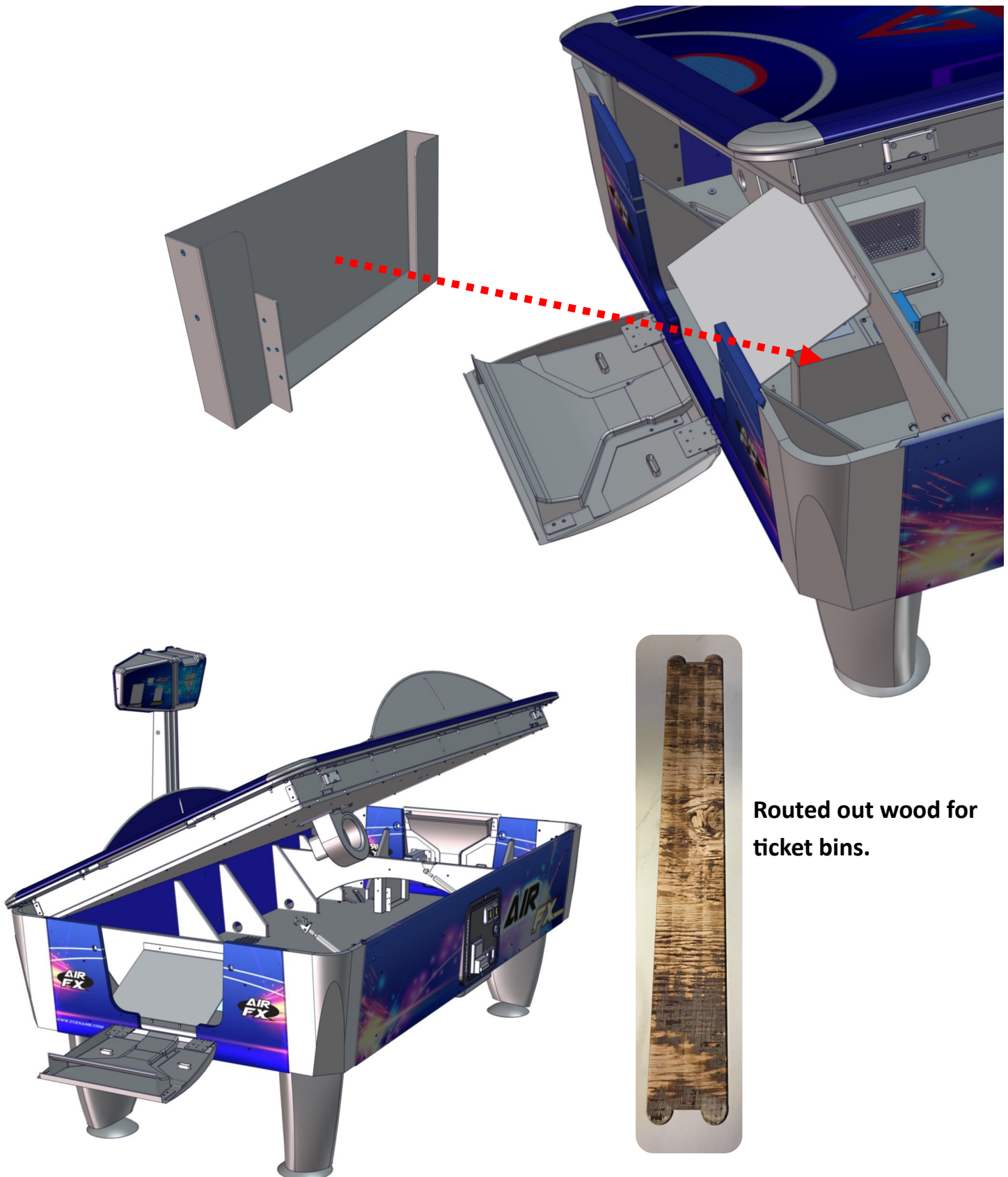
Clarence, NY 14031

(716) 759-0360 8:30am to 6:00am Eastern Standard Time

WWW.ICEGAME.COM

Step 1:

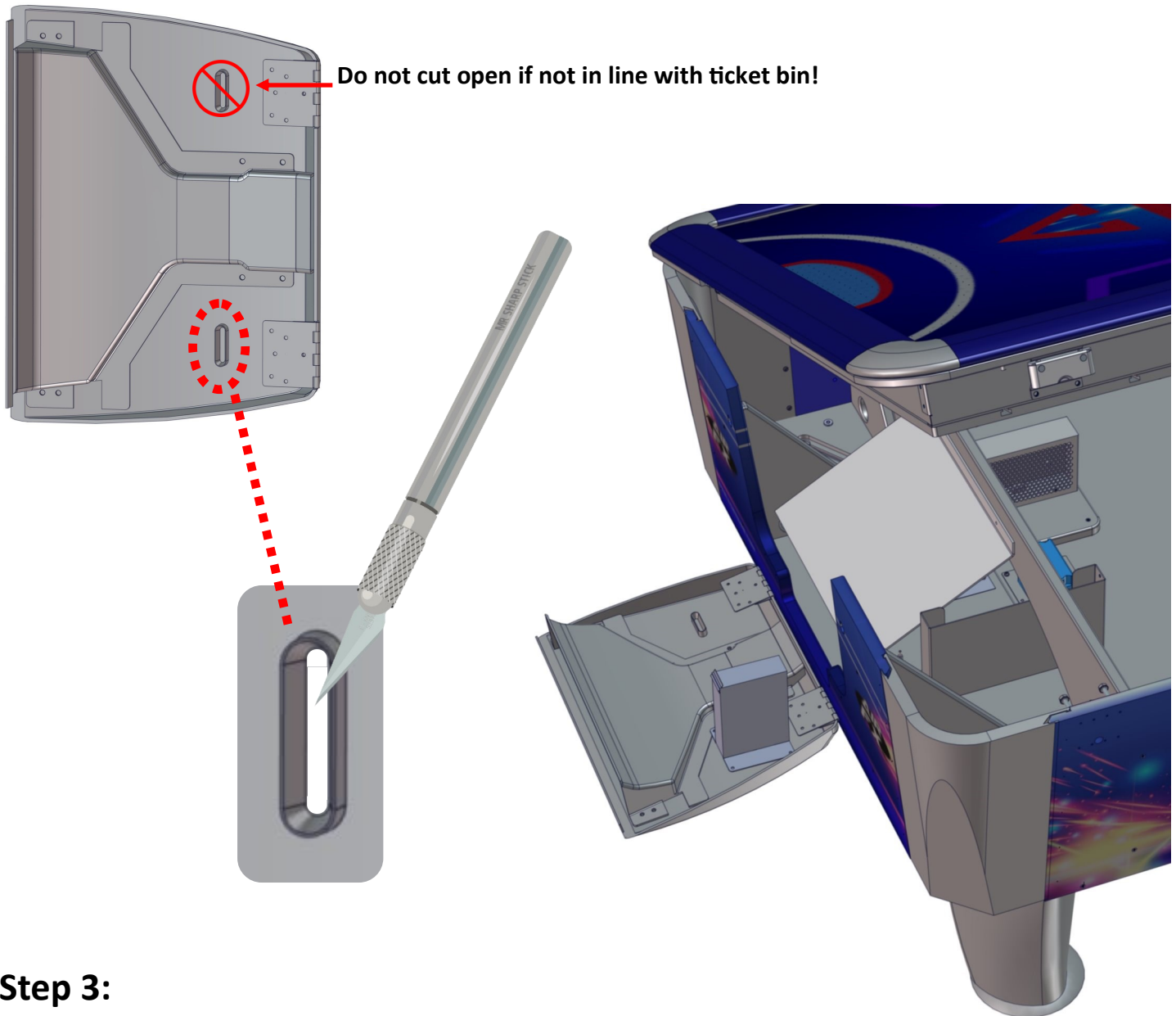
Unlatch and open the playfield. Located at each player side is a section of routed out wood to mount the ticket bins. Attach a ticket bin to each player side using 655 Square bit screws.



Routed out wood for ticket bins.

Step 2:

Open each player's score door and locate the correct ticket opening for that side. It will be across from the ticket bin you installed. Using a sharp knife, carefully cut along the thin routed area inside the ticket out slot. Make sure there is no sharp plastic or jagged plastic, use a small piece of sand paper to ensure it is smooth.

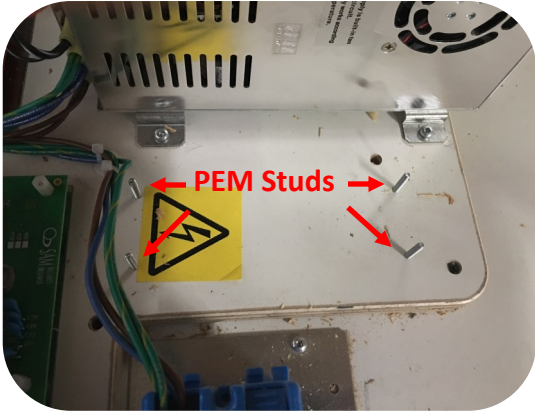


Step 3:

Mount a ticket mech onto each door using the provided hardware.

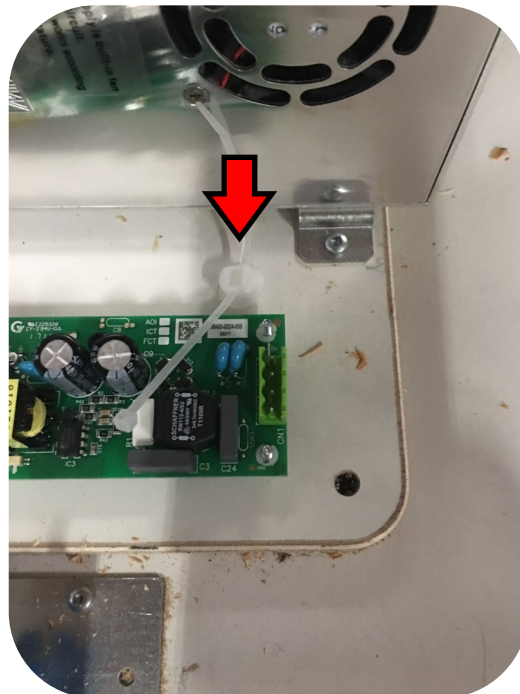
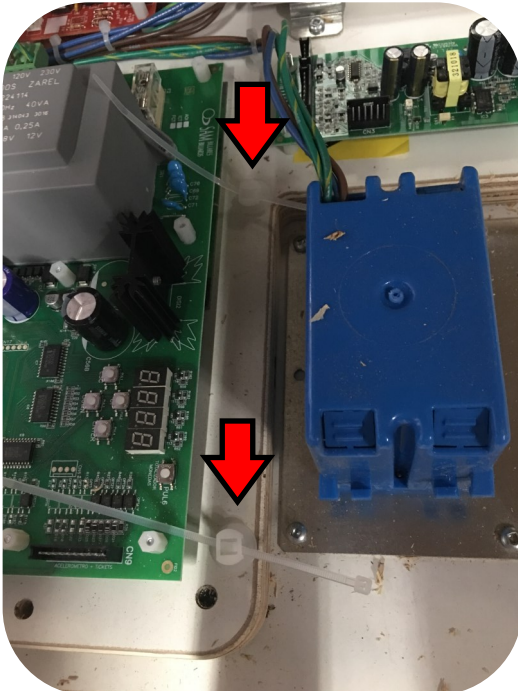
Step 4:

Mount the Ticket Controller board next to the main power supply. The larger green connector faces away from the main circuit board. PEM studs are already present in the cabinet to mount the ticket controller and shown below. Use the provided plastic nuts to secure the board to the cabinet.



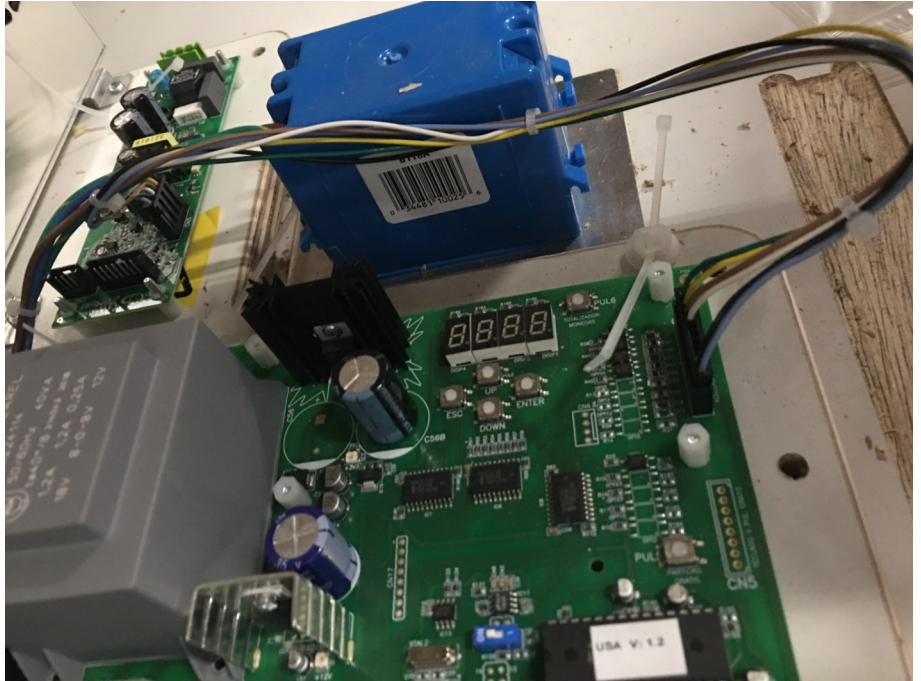
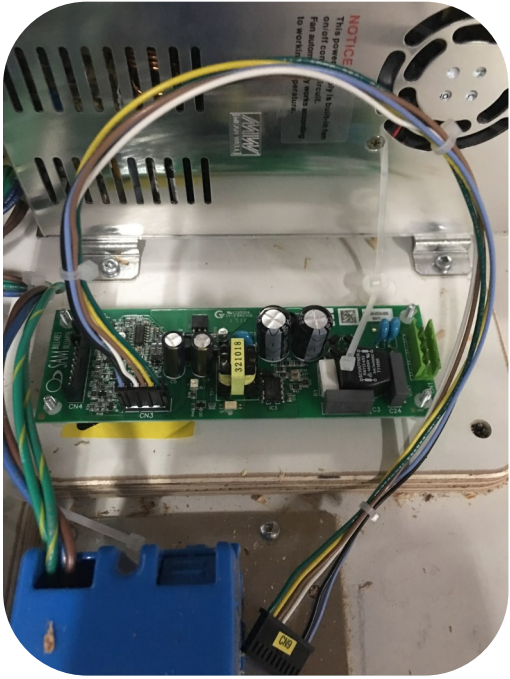
Step 5:

Insert a wire tie through a tie wrap mount. Then insert the tie wrap mount with wire tie to the two holes in front of the AC power module and next to the main power supply. These three spots are shown below.



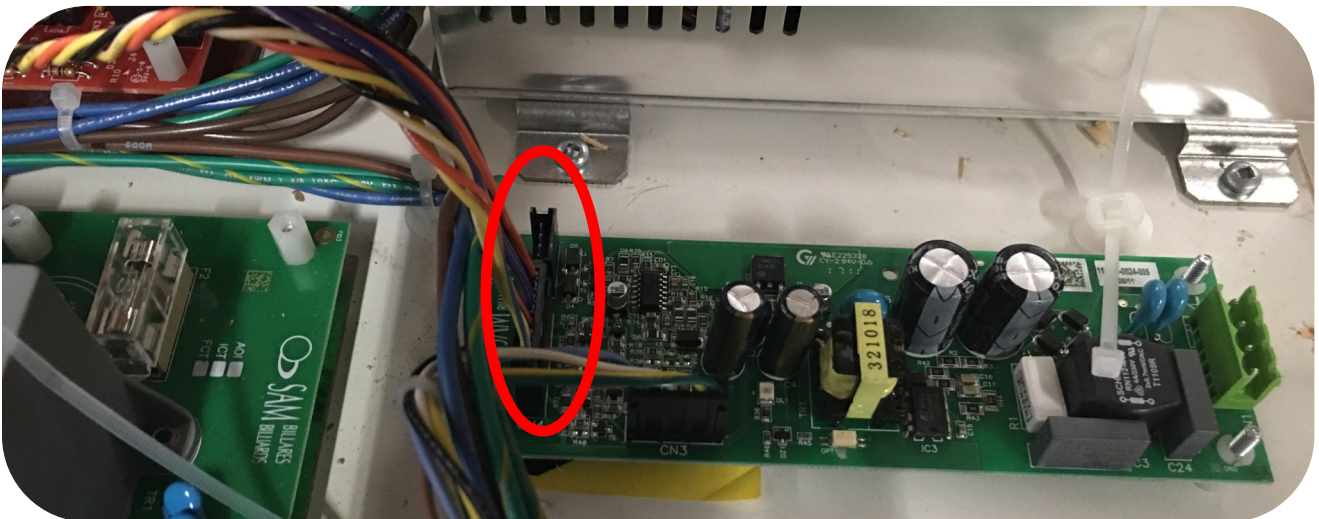
Step 6:

Locate the jumper harness that connects CN4 on the ticket controller board to CN9 of the Main board. Plug both harness ends in. Secure the harness with two wire ties installed in previous step.



Step 7:

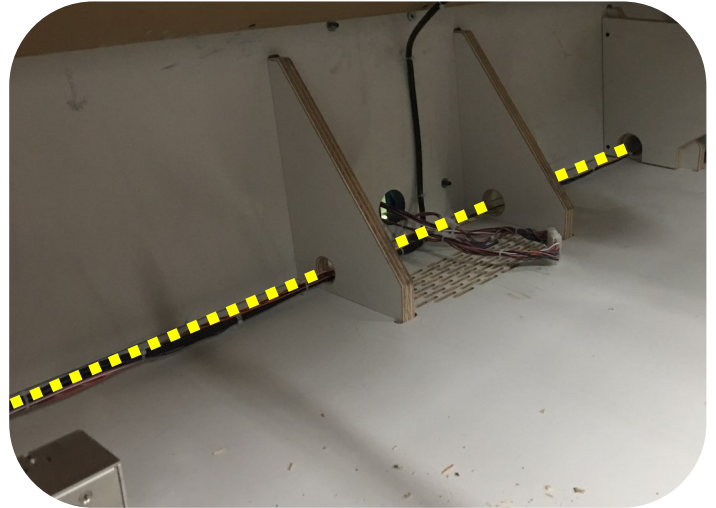
Locate the ticket mech harness and plug one end into connector CN3.



Step 8:

The ticket harness splits into two ticket mech connectors. The longer harness needs to follow the games' main harness to the other side of the cabinet. Insert the ticket dispenser connector through each hole opening and the main wire harness. Secure with wire ties.

Plug the connector into the ticket dispenser. See figure A.



Step 9:

The shorter ticket harness goes between the RGB board and main board, to the ticket mech. Plug the connector into the ticket dispenser and secure with wire ties. See Figure A.

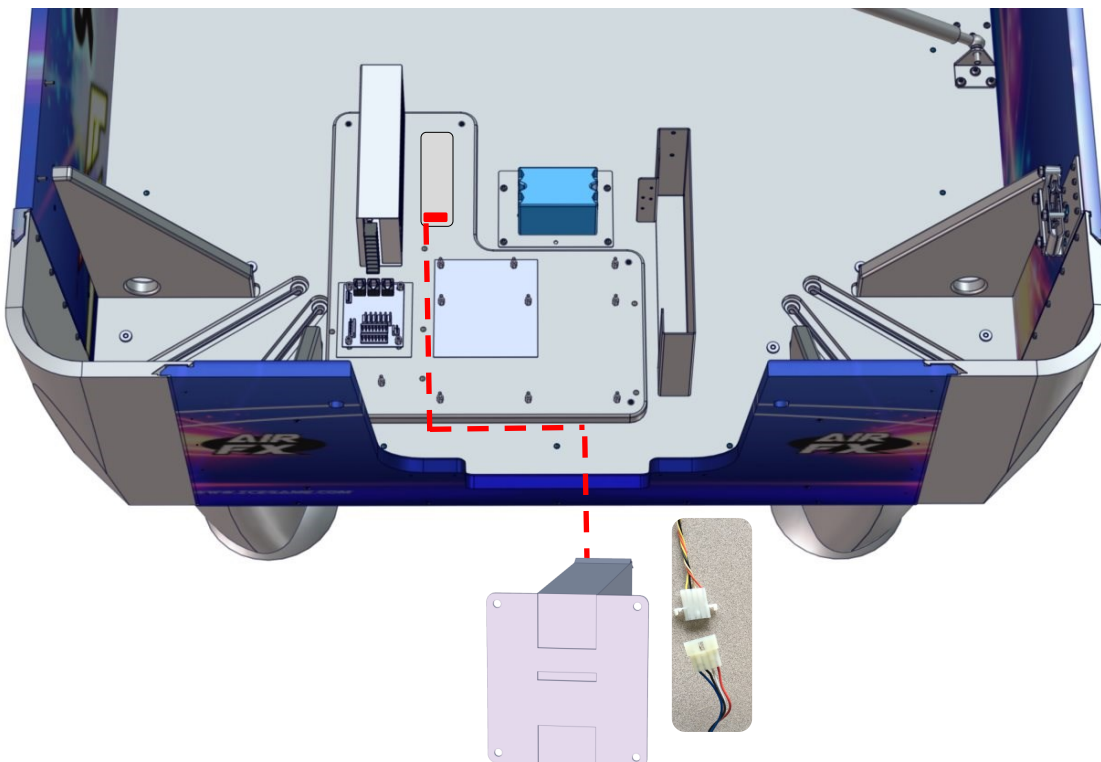
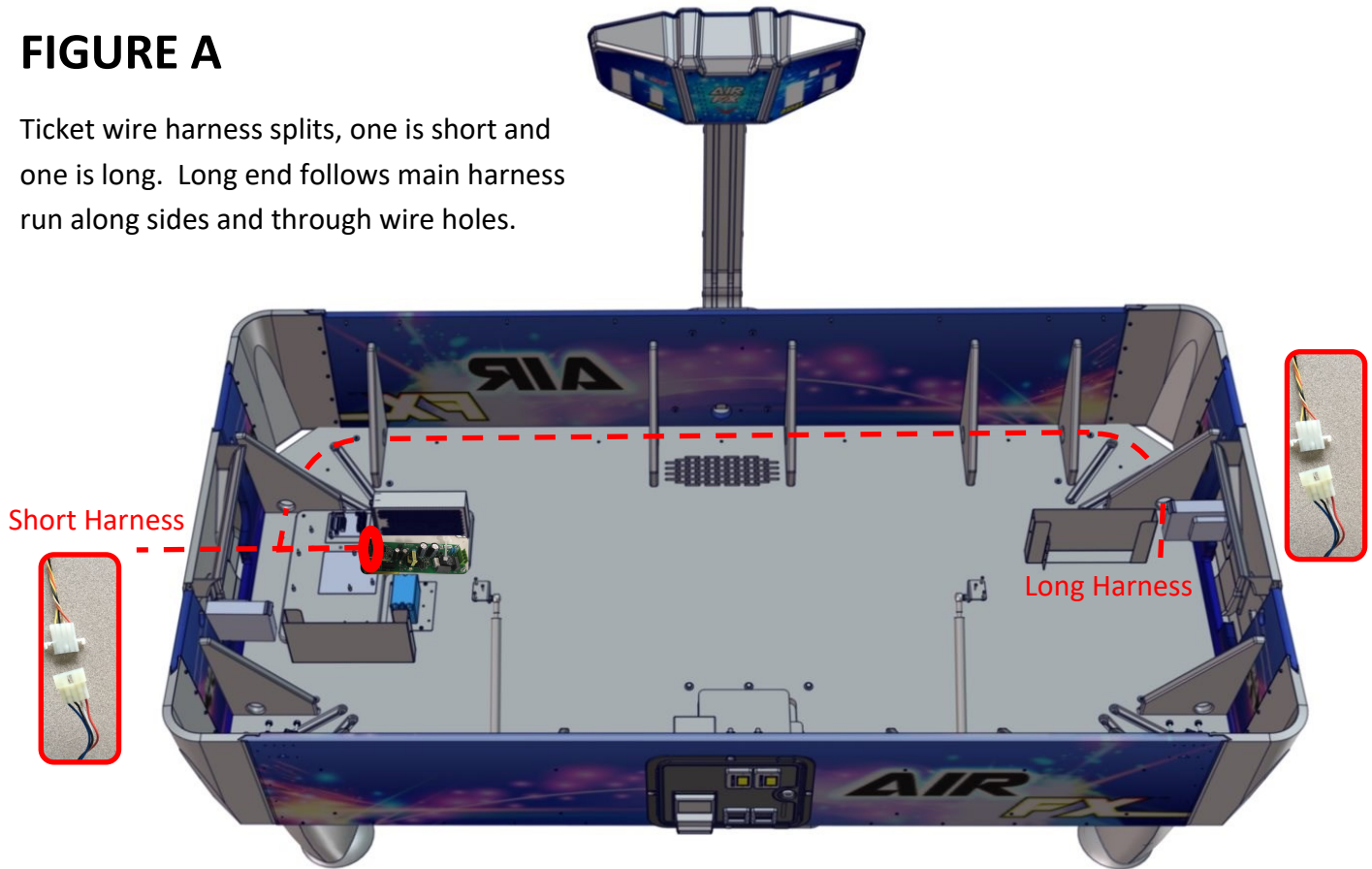


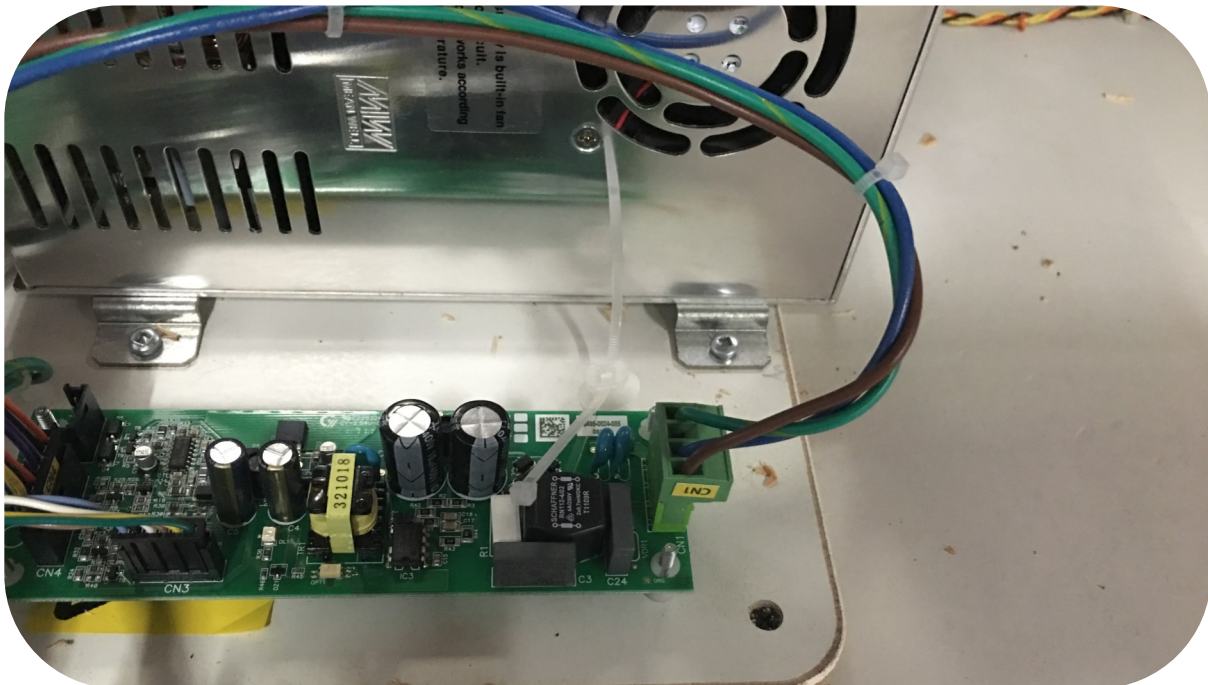
FIGURE A

Ticket wire harness splits, one is short and one is long. Long end follows main harness run along sides and through wire holes.



Step 9:

Locate the AC harness and plug the four pin AC PLUG into CN1.



! DANGER

Risk of electrical shock.

Can cause injury or death.

Disconnect all incoming AC power to game.

Do not proceed with install until AC cord is disconnected from wall.

Step 10:

Locate the Green wire and attach it using a Phillips screw driver to earth ground of the main power supply. Then attach the brown wire to “L” connection (line in). The blue wire goes to “N” (neutral) connection.

REPLACE THE PLASTIC PROTECTOR TO PREVENT ACCIDENTAL SHOCK WHEN IN USE.

