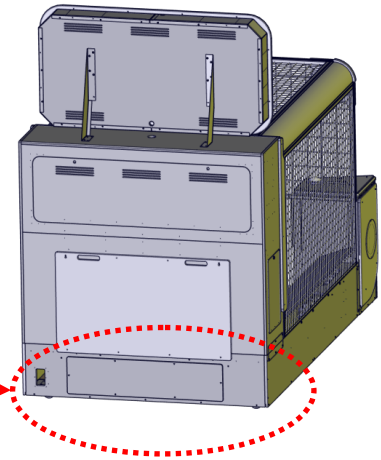
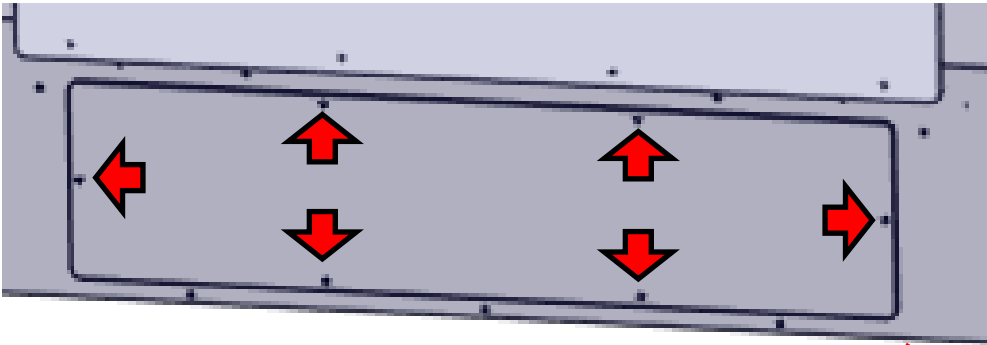


Goalie Mount update Horizontal to Vertical mount

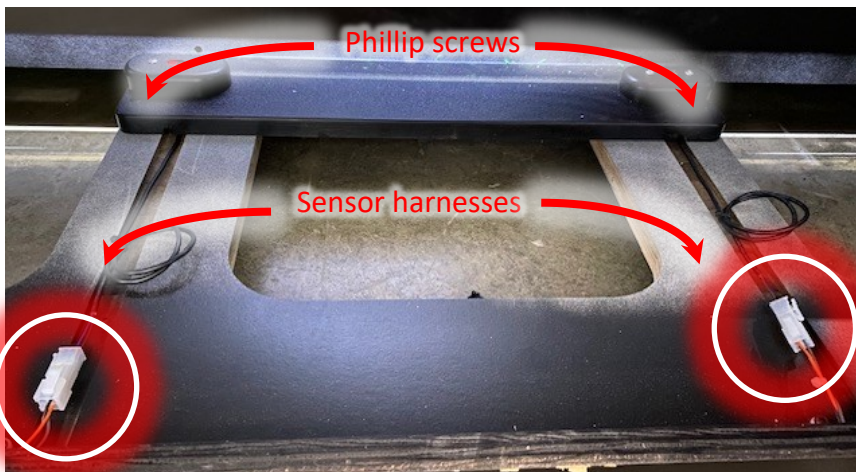
Step 1:



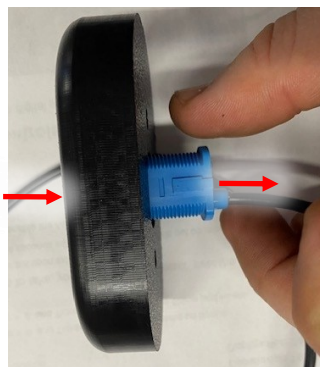
Remove the lower panel to gain access to the goalie slider.

Step 2: Remove the two Phillips screws holding the sensor array to the cabinet floor.

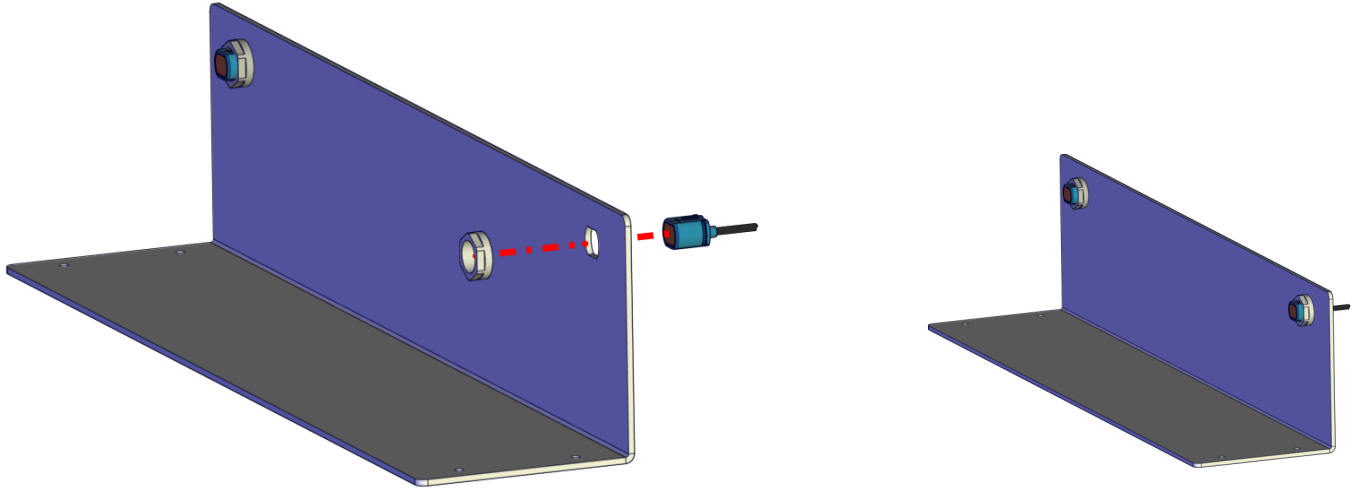
Then disconnect the sensor harnesses.



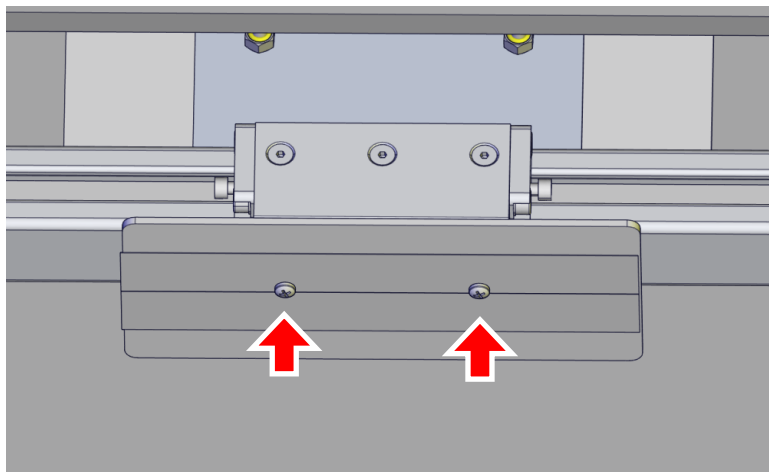
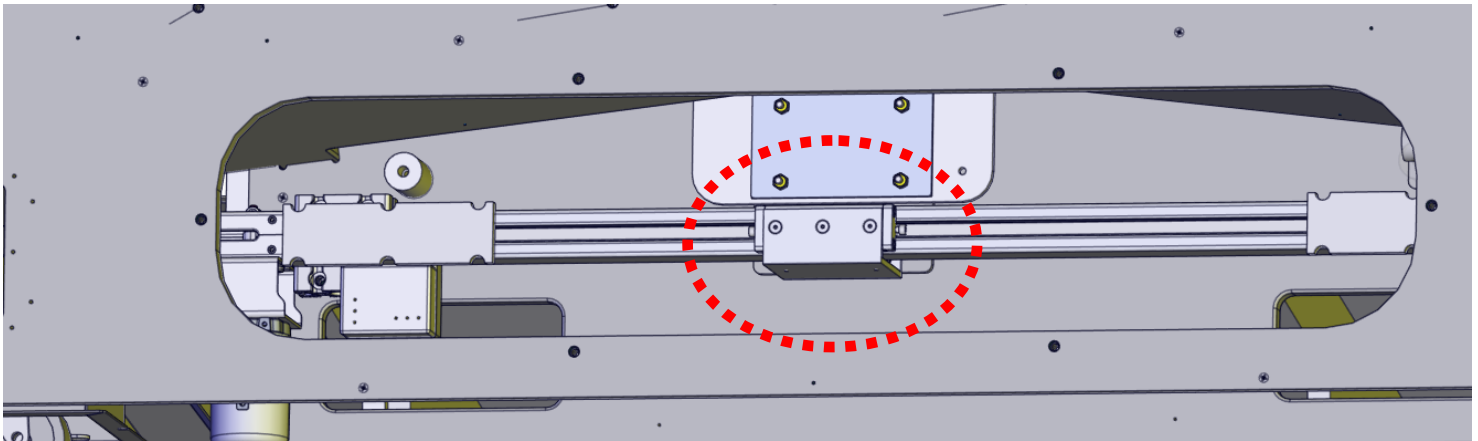
Step 3: Remove the two Phillips screws holding the sensor plate to the sensor platform. Once the sensor housing is free, gently push the sensor from the front of the housing as you pull slightly from the rear. Make note of how the sensor is seated in the housing, you'll want to make sure the new sensor is flush once re-inserted into the housing.



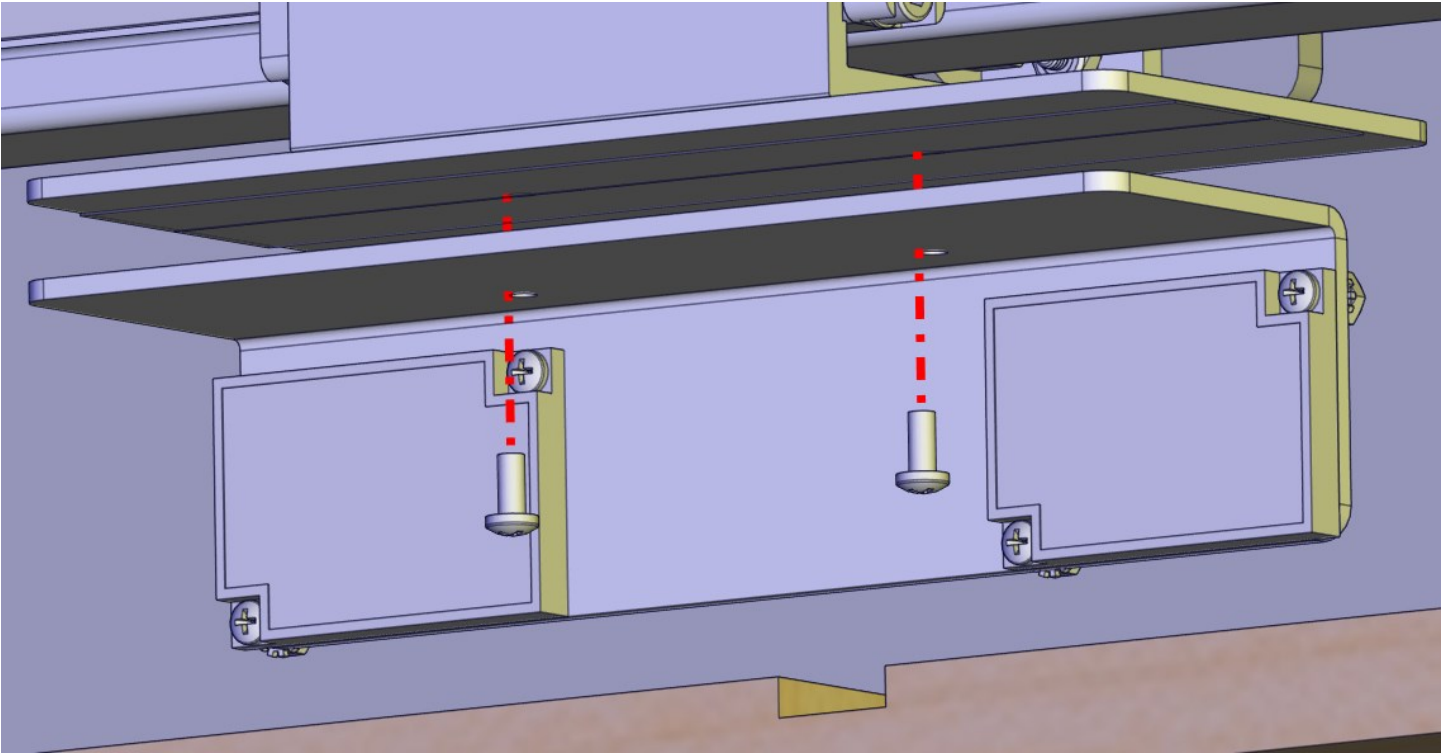
Step 4: Insert the sensors as shown and use a plastic nut to secure them to the bracket.



Step 5: Remove the old reflector mounted under the slider using the provided right angle screwdriver and Phillips bit.



Step 6: Install the new reflector using the previous hardware.



Step 7: Install the sensor bracket using the provide AA0655 screws using the provided right angle screwdriver and Allen Bit. Note, sensor points at the reflector, not toward you!

