

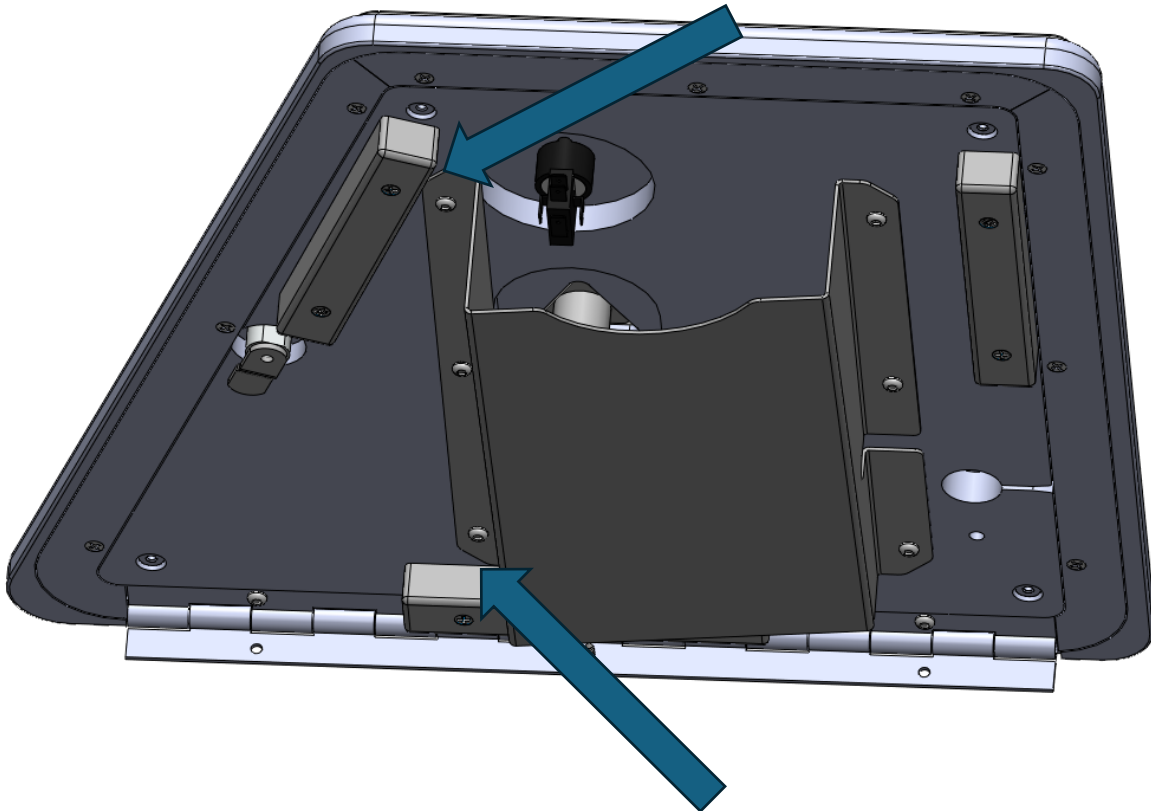
Step 1:

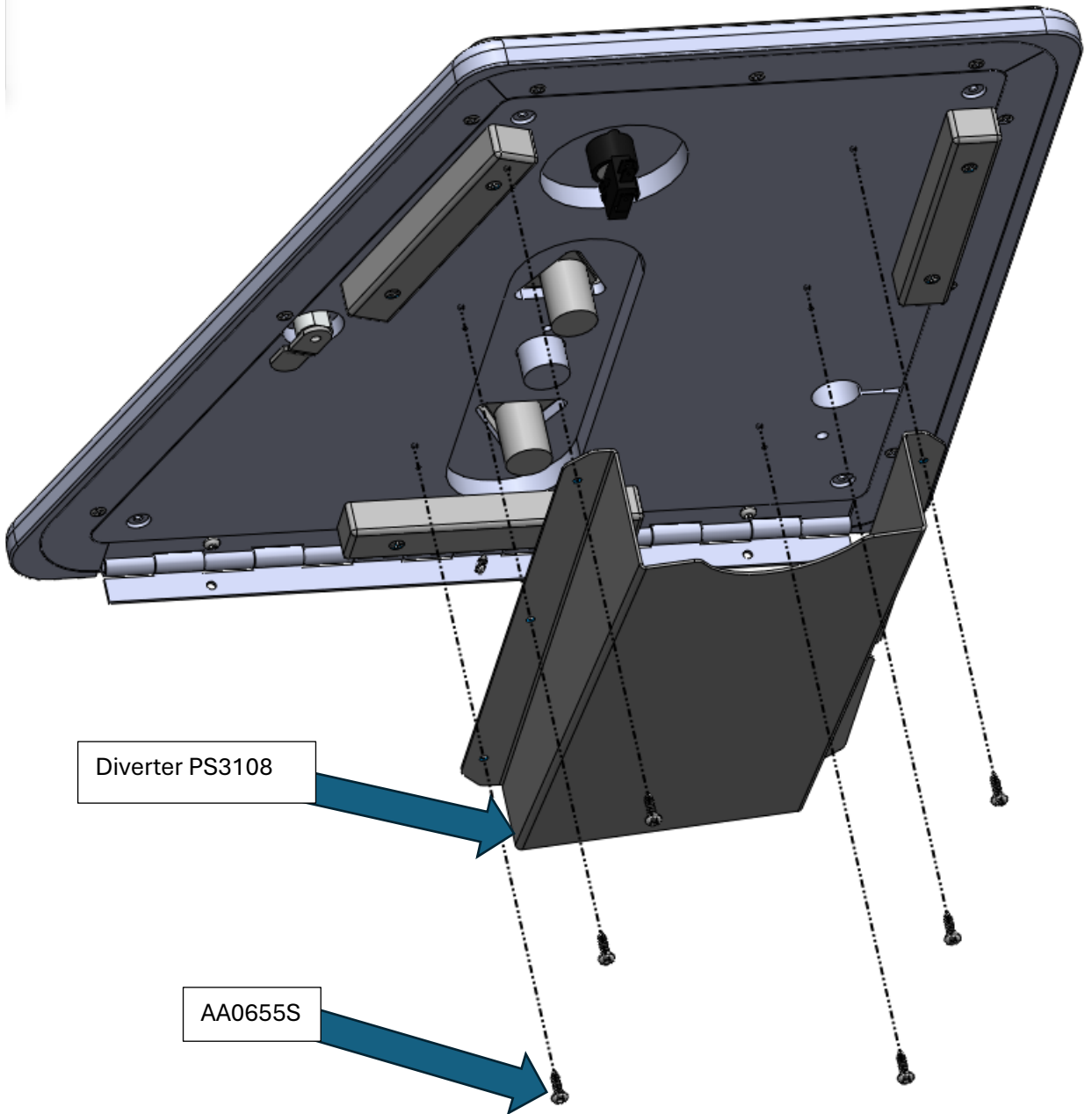
Open podium lid.

Locate “liquid diverter” on under side of lid, touching corners as shown below, between diverter and cover cleats.

Match drill underside of lid to the diverter mounting holes, 3/32” hole x 1/2” deep. CAUTION – DO NOT DRILL ANY DEEPER THAN 1/2”

Using (6) ICE provided screws AA0655S, fasten diverter to underside of lid.





Diverter PS3108

AA0655S